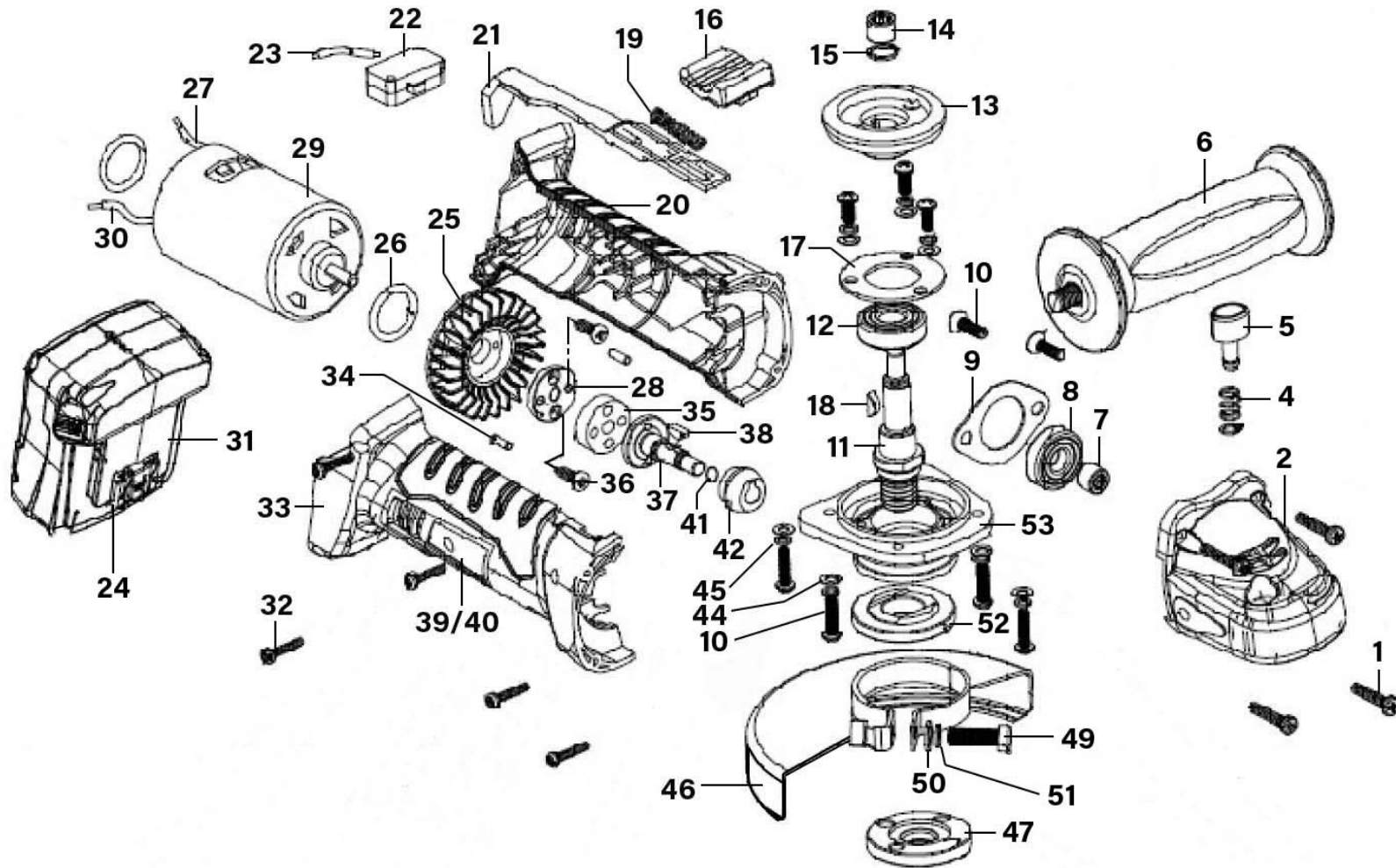




Parts Information:
Cordless Angle Grinder Ø115mm 18V Lithium-ion 1hr Charge - 2 Batteries
Model No: CP5418V



NOTE: It is our policy to continually improve products and as such we reserve the right to alter data, specifications and component parts without prior notice.

There may be alternative versions of this product, please contact us should you require this information.

IMPORTANT: No liability is accepted for incorrect use of product. Spare parts must be fitted by a competent person

WARRANTY: Guarantee is 12 months from purchase date, proof of which will be required for any claim.

Sealey Group, Kempson Way, Suffolk Business Park, Bury St Edmunds, Suffolk. IP32 7AR



01284 757500



01284 703534



sales@sealey.co.uk



www.sealey.co.uk



Parts Information:
**Cordless Angle Grinder Ø115mm 18V
Lithium-ion 1hr Charge - 2 Batteries
Model No: CP5418V**

Item	Part No.	Description
1	CP5418V.01	Rd Head S/T Screw M4 X 20 Black
2	CP5418V.02	Gearbox
4	CP5418V.04	Lock Knob Spring Dia 7.5mm.
5	CP5418V.05	Lock Button
6	CP5418V.06	Auxiliary Handle
7	B/HK0609	Needle Bearing HK0609
8	B/629ZZ	Bearing 629zz
9	CP5418V.09	Bearing Plate
10	MSP412.SB	Machine Screw Pan Head Phillips M4 x 12mm Black
11	CP5418V.11	Spindle
12	B/6000ZZ	Bearing 6000zz
13	CP5418V.13	Gear
14	CP5418V.14	Bush
15	RE231V3-04	External Circlip 9.2mm ID
16	CP5418V.16	Button (Red) For Push Switch
17	CP5418V.17	Bearing Plate
18	CP5418V.18	Woodruff Key 3x10
19	CP5418V.19	Spring For Switch Lever, Diameter 5.6mm
20	CP5418V.20	Case, Left Side
21	CP5418V.21	Lever (White) For Push Switch
22	CP5418V.22	Microswitch (16A 125/250V) M3-A1-0-15
23	CP5418V.23	Power Wire For Switch
24	CP5418V.24	Heat Plate
25	CP5418V.25	Fan For Motor
26	MT700.V2-R10	O-Ring, (Ex: 25.53 In: 20.29 Cs: 2.62)
27	CP5418V.27	Motor Wire

Item	Part No.	Description
28	CP5418V.28	Connection Plate
29	CP5418V.29	Motor (Internal 18v)
30	CP5418V.30	Motor Wire
31	CP5418VBP	Power Tool Battery 18V
32	CP5418V.32	Rd Head S/T Screw M3.5 X 16 Black
33	CP5418V.33	Case, Right Side
34	CP5418V.34	Positioning Pin
35	CP5418V.35	Drive Plate
36	CP5418V.36	Countersunk Screw (st2.9x8)
37	CP5418V.37	Pinion Shaft
38	CP5418V.38	Woodruff Key 2.5x10
39	CP5418V.39	Spec Label
40	CP5418V.40	Logo Label
41	CP5418V.41	Internal Circlip 11.7mm OD
42	CP5418V.42	Pinion
44	FWM4.S	Flat washer M4
45	SWM4.SB	Spring Washer M4 Black
46	CP5418V.46	Guard
47	CP5418V.47	Disc Nut
49	SCB525.SB	Socket Cap Bolt M5 x 25mm Black
50	FWM5.S	Flat Washer M5 Zinc
51	SWM5.SB	Spring Washer M5 Black
52	CP5418V.52	Flange Nut
53	CP5418V.53	Front Cover
--	CP5418V.54	Charger (Not Shown)
--	SG115.V2-53	Pin Spanner (Not Shown)

NOTE: It is our policy to continually improve products and as such we reserve the right to alter data, specifications and component parts without prior notice. There may be alternative versions of this product, please contact us should you require this information.

IMPORTANT: No liability is accepted for incorrect use of product. Spare parts must be fitted by a competent person

WARRANTY: Guarantee is 12 months from purchase date, proof of which will be required for any claim.

Sealey Group, Kempson Way, Suffolk Business Park, Bury St Edmunds, Suffolk. IP32 7AR



01284 757500



01284 703534



sales@sealey.co.uk



www.sealey.co.uk